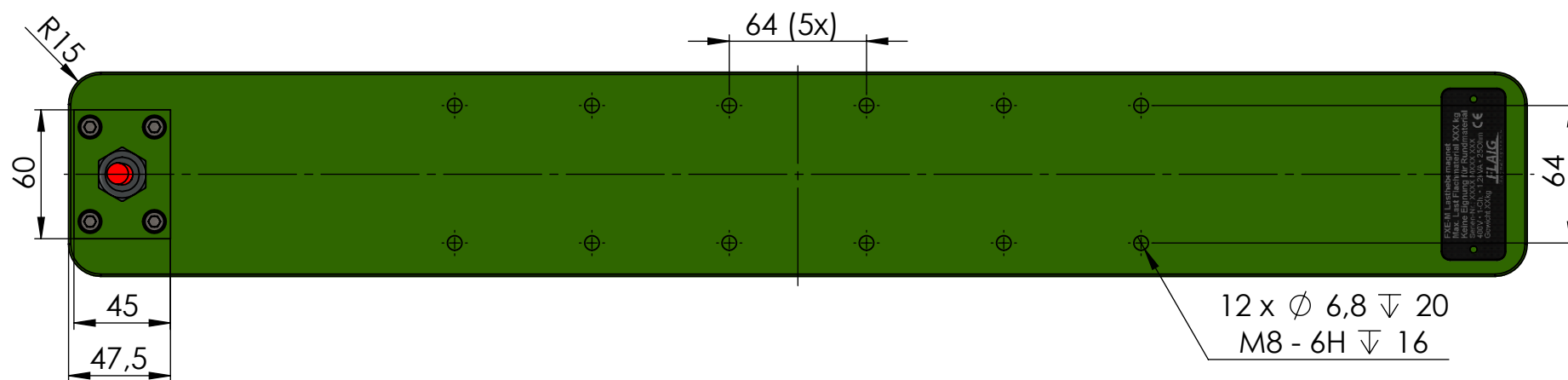
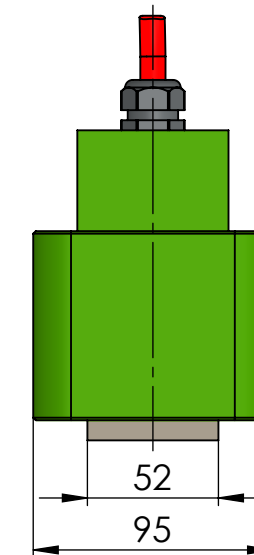
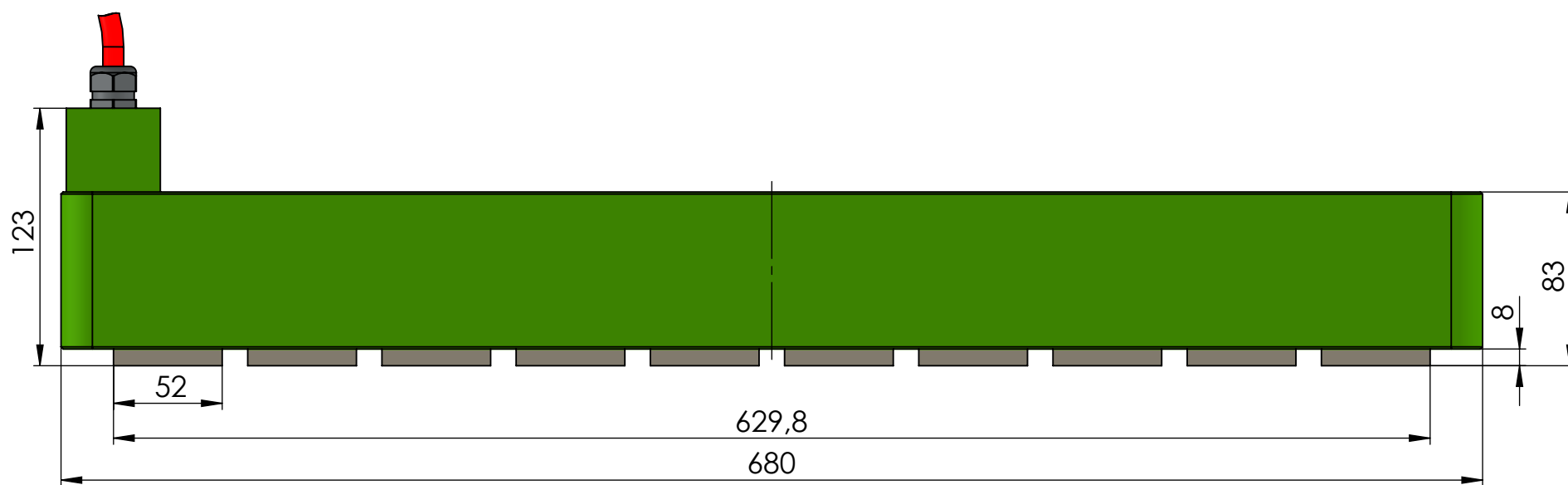
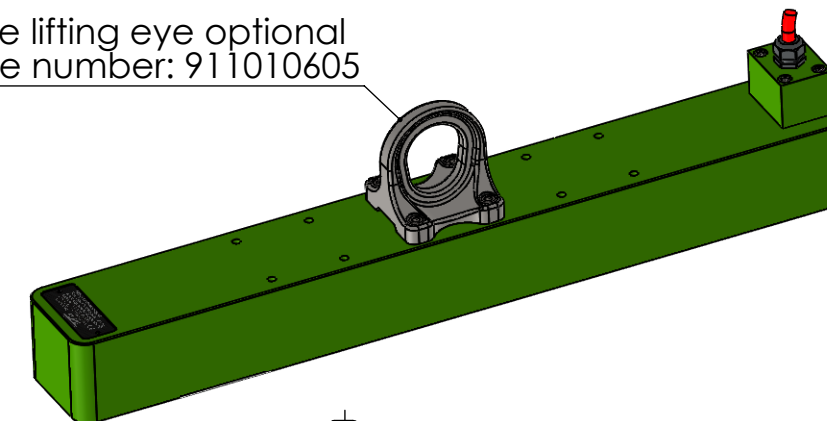
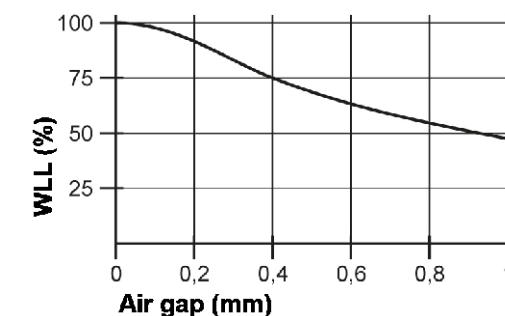
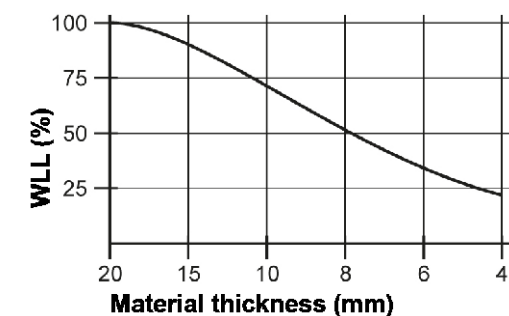


Crane lifting eye optional
Article number: 911010605



12 x Ø 6,8 ∇ 20
M8 - 6H ∇ 16



Specification FXE-M 1000-50+		Schutzvermerk nach DIN ISO 16016 beachten! Nachdruck nur mit unserer Genehmigung!			tolerance	material:	weight: 35.30
		All rights reserved according to DIN ISO 16016! Reprint with our permission only!			ISO 7168 M	drawing no.:	0012837
Nominative Force: 38kN	lifting capacity EN 13155/WLL			date	name	description: FXE M 1000-50+	
Materialthickness >15mm (100%)	1000kg			drawn 01.02.2021	MF		
4,5kVA				edit 23.05.2022			
U: 380-480V Pulse	Protection Type IP 65			appr. 23.05.2022	TW		
R: 6Ω	Protection category SK I			 www.flraig-te.de		part no.:	sheet 1 / 1
		rev.	change			date	name
						scale: 1:3	Status: Freigegeben